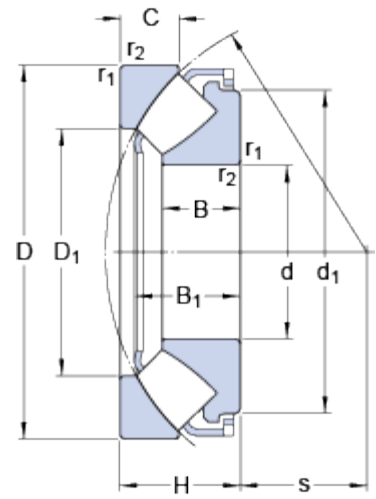


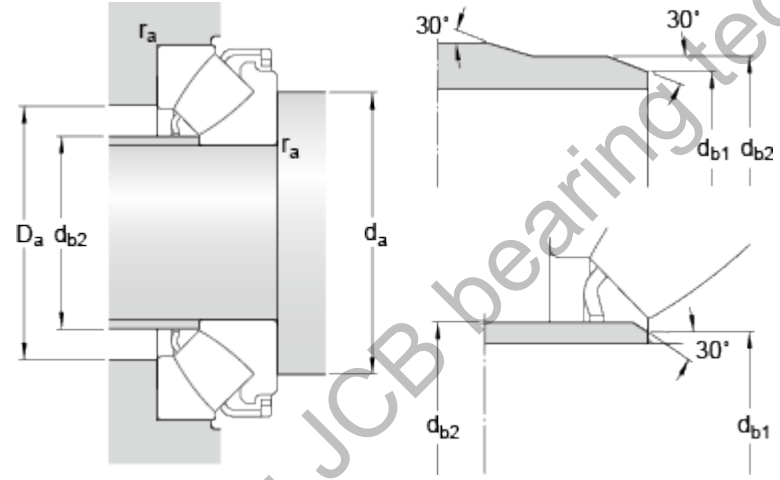
▶
29468

Dimensions



d	340	mm
D	620	mm
H	170	mm
d ₁	≈ 557	mm
D ₁	≈ 445	mm
B	112	mm
B ₁	151.4	mm
C	84	mm
s	201	mm
r _{1,2}	min. 7.5	mm

Abutment dimensions



d _a	min. 475	mm
d _{b1}	max. 363	mm
d _{b2}	max. 386	mm
D _a	max. 530	mm
r _a	max. 6	mm

Calculation data

Basic dynamic load rating	C	6700	kN
Basic static load rating	C ₀	22400	kN
Fatigue load limit	P _u	1760	kN
Reference speed		560	r/min
Limiting speed		1000	r/min
Minimum axial load factor	A	46	

Mass

Mass bearing		220	kg
--------------	--	-----	----